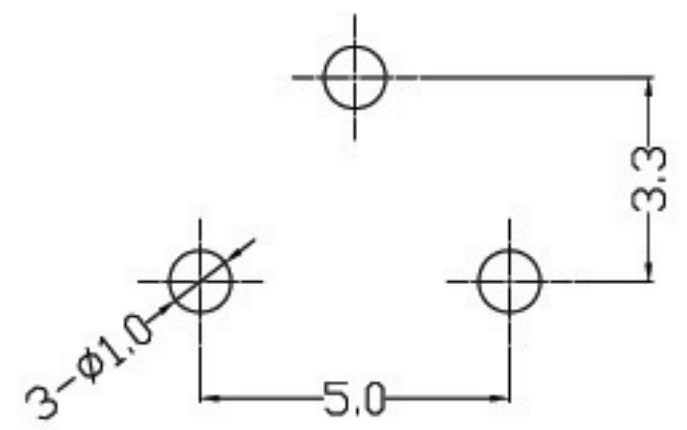


P.C.B. MOUNTING PATTERN

=====



CIRCUIT DIAGRAM

=====

