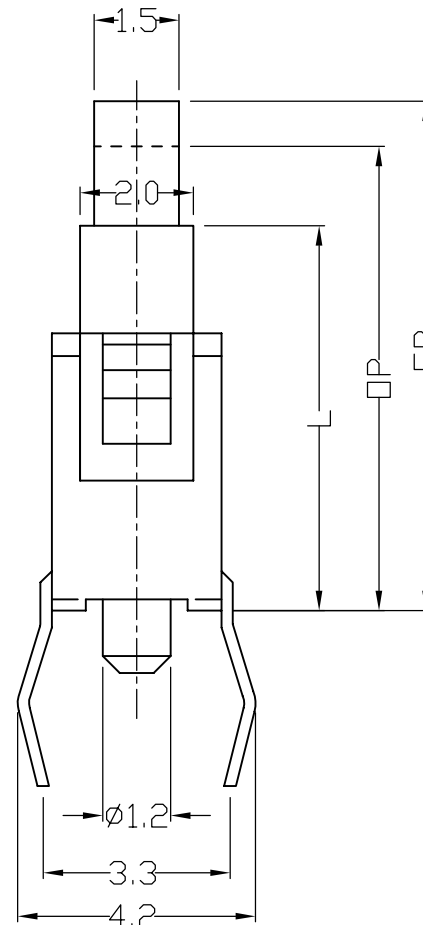
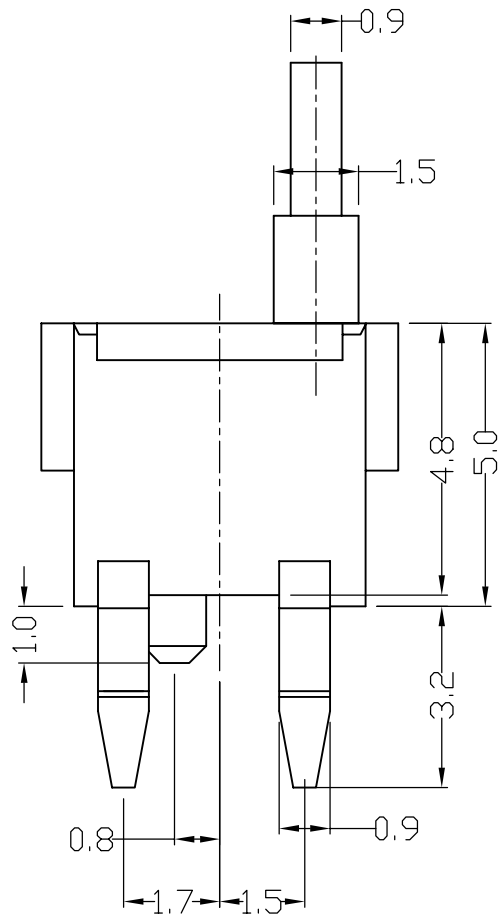
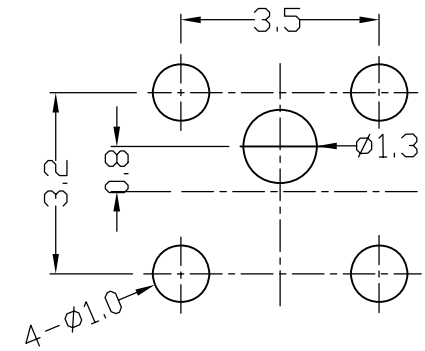
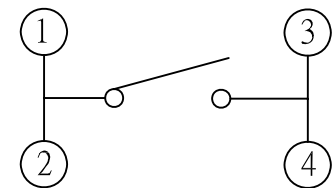


	(L)	(OP)	(FP)
DS-1120-7.0	6.0	6.3	7.0
DS-1120-7.5		6.8	7.5
DS-1120-8.5	6.8	7.7	8.5
DS-1120-9.5		8.2	9.0
DS-1120-10.5		8.7	9.5
DS-1120-11.5	10.0	9.7	10.5
DS-1120-13.0		12.3	13.0
DS-1120-13.7		13.0	13.7

### P.C.B. Layout



### CIRCUIT DIRGRAM



DS-1120-??